

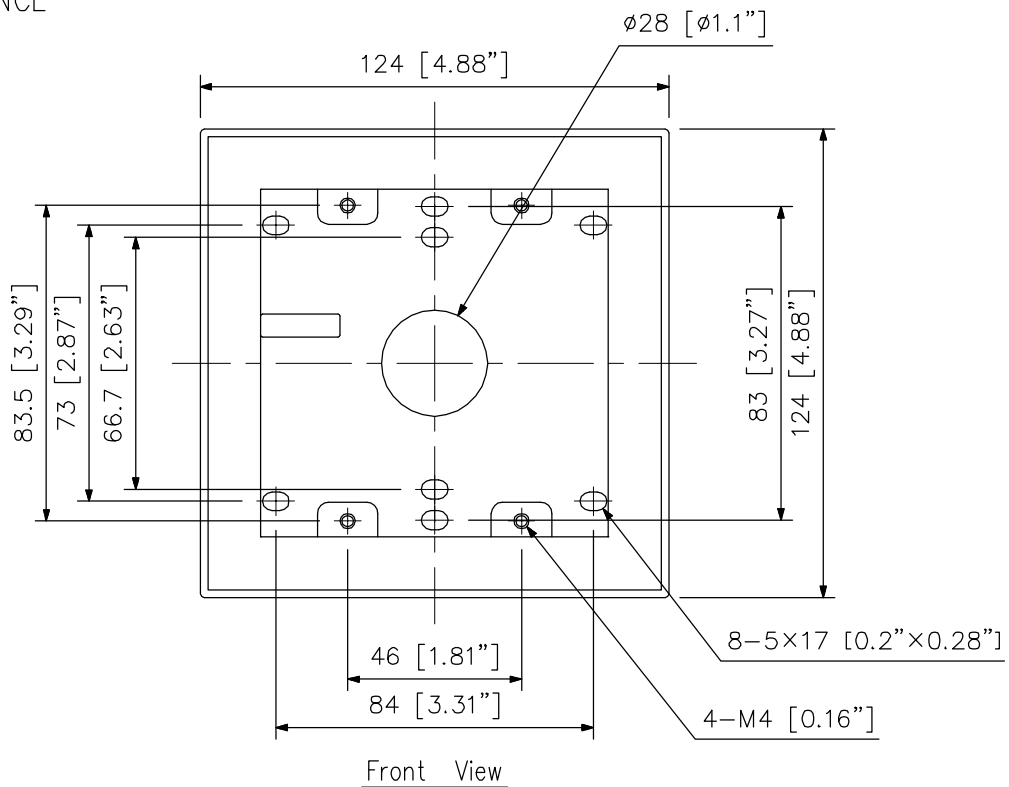
■DESCRIPTION

The YC-823 is a outdoor wall-mount box.

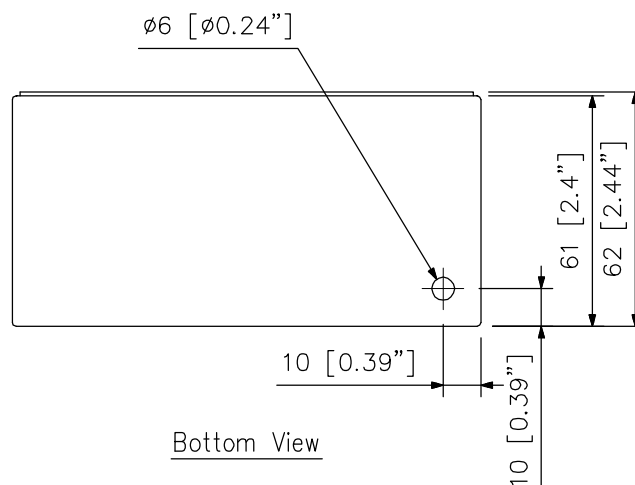
■SPECIFICATIONS

Finish	Stainless steel plate, off-white
Dimensions	124 (W) × 124 (H) × 62 (D) mm (4.88" × 4.88" × 2.44")
Weight	440 g (0.97 lb)
Accessory	Wall mounting screw ×4

■APPEARANCE



Front View



Bottom View

UNIT:mm SCALE:1/2