



IP REMOTE MICROPHONE

IP-300RM
(1CE/4CE)

DESCRIPTION

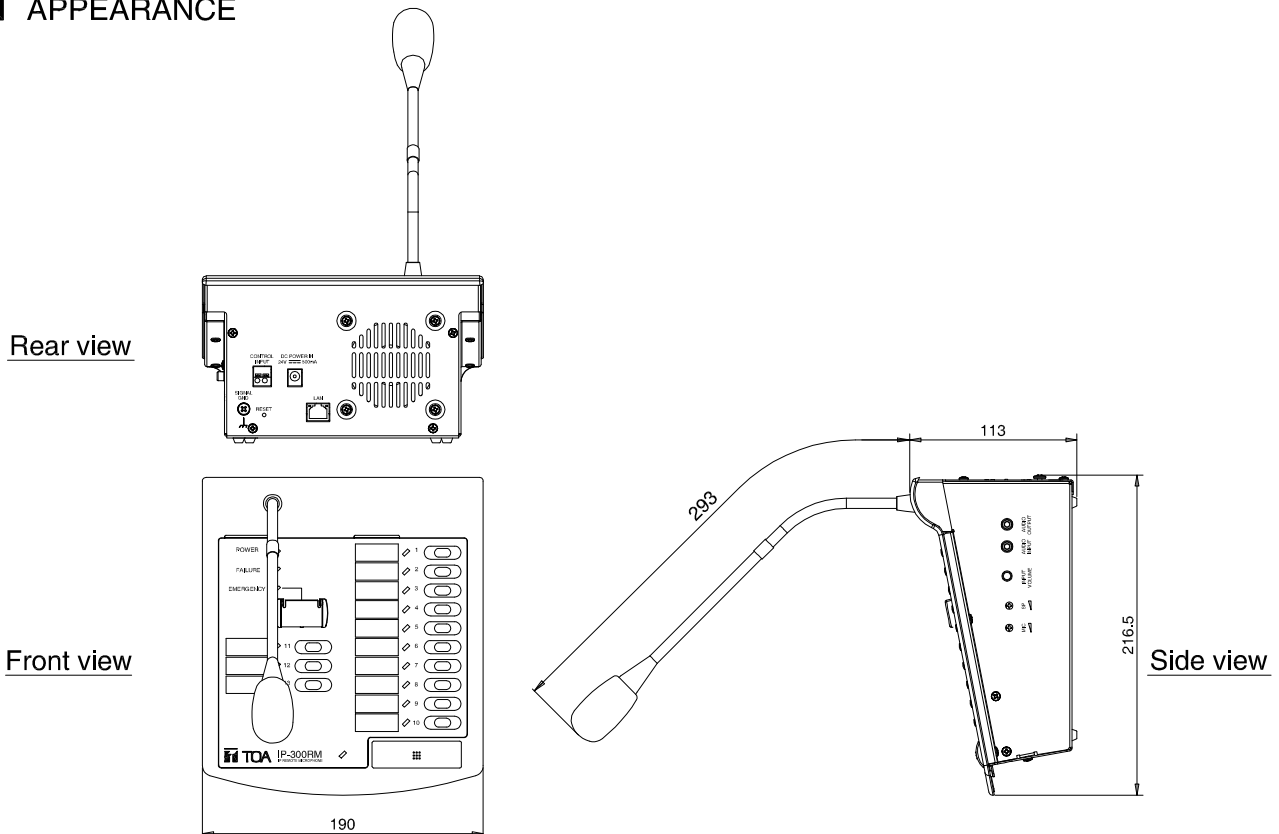
The IP-300RM is an IP remote microphone designed for use with TOA's network PA system IP-3000 that employs the packet audio technology. It can transmit the input signal to the system through LAN or WAN and then broadcast and output the signal through other terminals in the system. It can also be used to monitor other broadcasted sounds of input in the system. Moreover, keys of the equipment can be set through software to realize remote control.

SPECIFICATIONS

(*1) 0dB = 1Vrms

| | |
|--------------------|---|
| Power Source | AC 100-240V 50/60Hz, current consumption: less than 250mA |
| Control input | No-voltage control contact input, no-screw wiring terminal Open-circuit voltage:24V DC,short-circuit current:less than 5mA |
| Network connection | Corresponding to 100 BASE-T network connection,Ethernet RJ45 jack |
| Audio input | -20dB ^{*1} , 10kΩ, unbalanced, Φ 3.5mm stereo mini-jack |
| Audio output | 0dB ^{*1} , 600Ω, unbalanced, Φ 3.5mm monophonic mini-jack (optional transformer balanced output) |
| Frequency Response | 20Hz - 20kHz (MIC 100Hz - 16kHz) |
| Microphone | Unidirectional electret condenser microphone |
| Key | 13 number keys , 1 emergency key and 1 talk key |
| Display | Greenpower indicator ×1, orange failure indicator ×1, red emergency indicator ×1, and green/orange selection indicator ×13 |
| Volume control | Audio input volume control, microphone volume control and monitor speaker volume control |
| Finish | Panel: ABS resin (black), box: Surface-treated steel plate |
| Dimensions | 190 (W) × 113 (H) × 216.5 (D)mm (excluding gooseneck microphone) |
| Weight | 1.5kg |
| Accessory | AC power adapter ×1, AC power cord ×1 |

APPEARANCE



UNIT: mm SCALE:1/5