

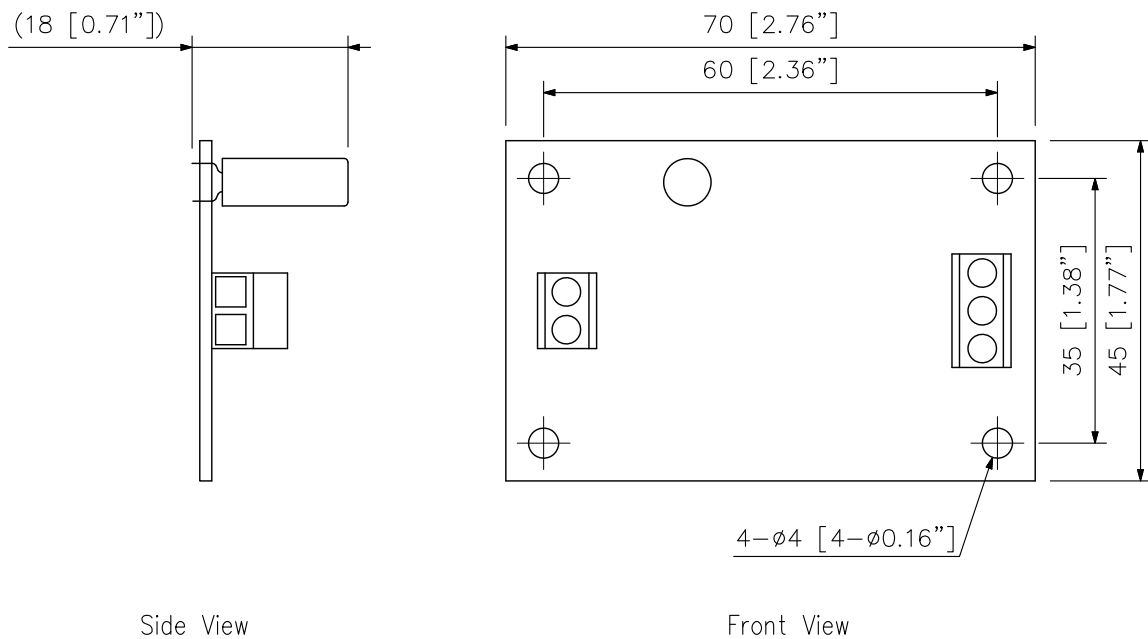
■DESCRIPTION

Speaker line failure can be detected with greater accuracy when a VM-300SV unit specifically designed for 100 V speaker line is connected between the speaker line end and the emergency input terminal of the VM-3240VA, VM-3360VA, VM-3240E, or VM-3360E.

■SPECIFICATIONS

Power Source	Supplied from VM-3240VA/3360VA/3240E/3360E
Power Consumption	0.2 W
Speaker Line Input	Screw connector, Applicable cable diameter: AWG 24 – AWG 19
Contact Output	Connected to the emergency contact input of VM-3240VA/3360VA/3240E/3360E Connector cable: Twisted pair cable (shielded type is recommended) Max. cable length: 10 m (32.81 ft)
Speaker Line	Max. cable length: 500 m (546.81 yd) Max. load: 100 W * Applicable only for 100 V speaker line
Dimensions	70 (W) × 18 (H) × 45 (D) mm (2.76" × 0.71" × 1.77")
Weight	20 g (0.71 oz)

■APPEARANCE



UNIT:mm SCALE:1/1

Note: Numerical values in parentheses are for reference only.