

## DESCRIPTION

The TP-M15E is a horn speaker with increased safety type of explosion-proof. It has high safety for insulation performance and danger due to temperature rise and damage from outside.

## SPECIFICATIONS

Rated Input	15 W
Rated Impedance	670 Ω (15 W), 1 kΩ (10 W), 2 kΩ (5 W)
Frequency Response	300 Hz - 5.5 kHz
Sensitivity	104 dB (1 W, 1 m)
Category	eG4 (Increased safety explosion-proof)
Standard Environmental Condition	Temperature: -20 °C to +40 °C Elevation: 1 km or less Relative humidity: 45 % to 85 % Others: Dust, corrosive gas or vibration, etc. that requires special consideration for explosion-proof equipment must not exist.
Finish	Horn: Aluminum, Ivory, Paint Others: Aluminum, Die-cast, Dark brown, Paint Bracket: Surface treated steel plate t3.2, Dark brown, Paint
Dimensions	∅392 × 475 (D) mm
Weight	4.9 kg
Accessory	Hex wrench

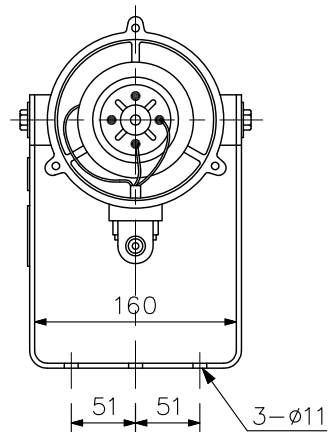
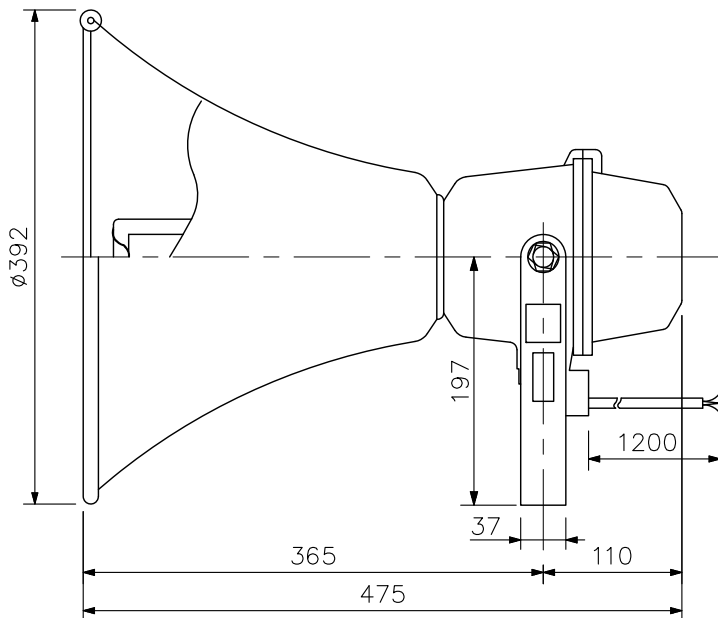
### Installation Places

- \* Places in which an explosive atmosphere is unlikely generated in normal operation, even if it is, it is generated for a short time only.
- \* The TP-M15E cannot be used in places where explosive atmospheres may be generated periodically or occasionally in normal operation.

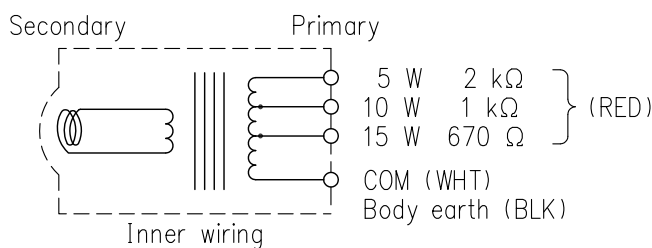
### [Examples of Available Places]

- (1) Places where explosive gas may leak due to damage to containers due to corrosion or deterioration.
- (2) Places where explosive gas may be released due to incorrect operation, or where explosive gas may leak due to high temperature and pressure due to abnormal reactions.
- (3) Places where an explosive atmosphere may be generated when the forced ventilation system fails and explosive gas accumulates.
- (4) Places where explosive gas may occasionally enter in the peripheral areas that may generate explosive atmospheres or adjacent rooms in normal operation.

## APPEARANCE



Rear view without terminal box cover



UNIT: mm SCALE: 1/6