

DESCRIPTION

Designed for outdoor-use applications, the H-2WP is a dome-shaped, small surface-mount 2-way speaker that ensures quality sound reproduction. The angle of speaker can be adjusted for 360 degrees parallel to the mounting surface. (For the installation on walls, however, keep the speaker facing down within 45 degrees left and right each.)

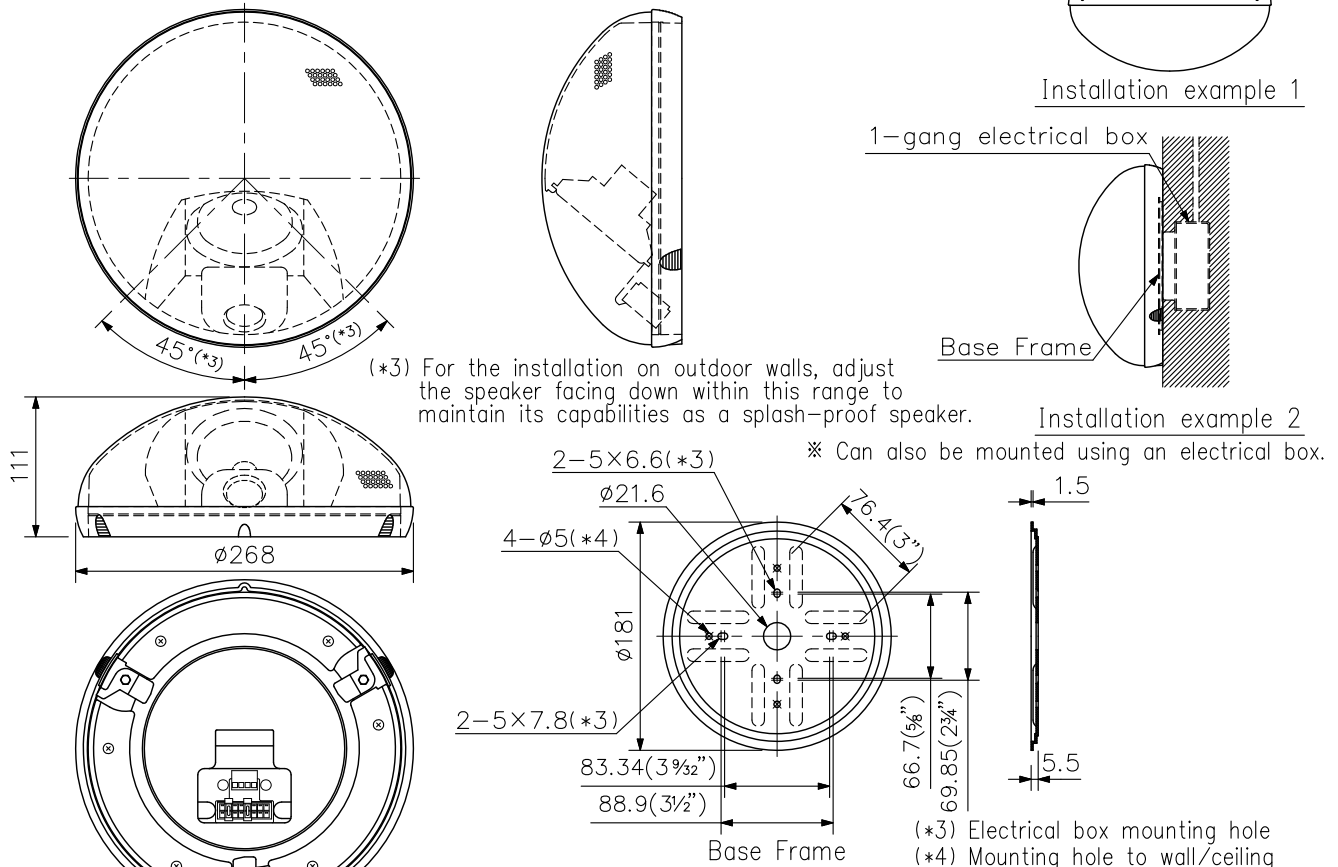
SPECIFICATIONS

Enclosure Type	Sealed type
Power Handling	120 W (continuous program/4 Ω), 40 W (continuous pink noise/4 Ω)
Rated Input	12 W (16 Ω, high impedance)
Rated Impedance	4 Ω, 16 Ω 100 V line: 830 Ω (12 W), 1.7 kΩ (6 W), 3.3 kΩ (3 W) 70 V line: 420 Ω (12 W), 830 Ω (6 W), 1.7 kΩ (3 W), 3.3 kΩ (1.5 W)
Sensitivity	88 dB (1 W, 1 m) at installation in 1/2 free sound field (Measured by installing the unit in the center of a wall.)
Frequency Response	100 Hz – 20 kHz
Dust/Water Protection	IP64
Speaker Component	Low frequency: 10 cm cone-type, High frequency: Balanced dome-type
Input Terminal	Detachable screw terminal, (+)/(-) 2 each (for bridging connection)
Usable Cable	Solid cable, stranded cable: 0.2 – 2.5 mm ² (AWG No. 24 – 14 equivalent)
Operating Temperature	-10 °C to +50 °C
Installation Environment	Indoor installation, under-eave installation (*1)
Finish	Punched net: Steel plate (zinc plating), white, powder coating Frame: Fire-resistant ABS, white, paint, Base frame: Stainless plate
Dimensions	∅268 X 111 mm
Weight	2.1 kg (including base frame)
Accessory	Base frame1, Electrical box mounting screw1 set
Usable Electrical Box	1-gang type (with cover) (*2)
Other Feature	Angle of speaker: 360 degrees adjustable in parallel to the mounting surface (The angle should be kept within 45 degrees left and right each in a downward direction for the wall installation.)

(*1) Avoid installing the speaker in locations close to the seashore or in indoor swimming facilities that are not well ventilated. In such locations, the bracket may be vulnerable to corrosion, eventually allowing the speaker to fall resulting in personal injury.

(*2) Without using an electrical box, mounting the supplied base frame directly to a wall or ceiling allows the speaker installation.

APPEARANCE



(*3) For the installation on outdoor walls, adjust the speaker facing down within this range to maintain its capabilities as a splash-proof speaker.

* Can also be mounted using an electrical box.

Note: Be sure to mount this speaker under eaves wherever possible to prevent direct exposure to rain and wind. Failure to follow this instruction could cause the speaker to exceed its capabilities as a splash-proof speaker, potentially leading to malfunction.

UNIT:mm SCALE:1/6