

**TOA****SPEAKER MOUNTING BRACKET**

SP-410/(EU)

DESCRIPTION

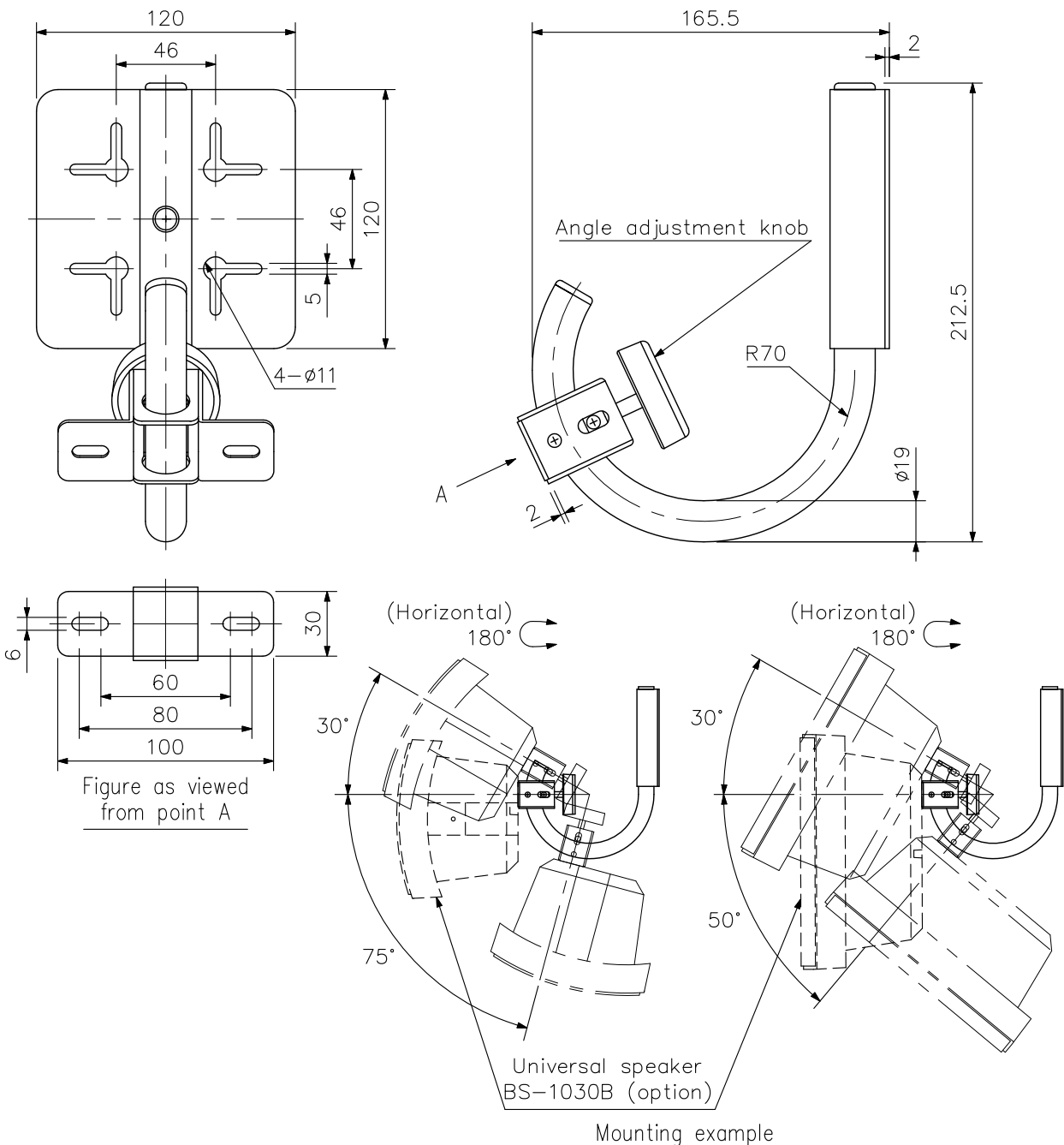
The SP-410 bracket is used to mount a box speaker to a wall or surface. It can be installed in combination with a 2-unit electrical box and can easily set or change the speaker orientation.

SPECIFICATIONS

Maximum Speaker Load	4 kg or less
Finish	Base, shaft: Stainless steel Bracket: Nickel-plated rolled steel plate
Weight	600 g
Accessory	Speaker mounting bracket.....2, Electric work box mounting screw.....4, Wall mounting screw.....4, Bracket fixing screw.....2

Note:

- (1) Be sure to use the SP-410 in combination with TOA's speakers.
- (2) Install the speaker indoors or under the eaves, where the speaker is not directly exposed to the rain, strong wind or vibration.

APPEARANCE

To prevent the loss of splash-proof capabilities, do not install the speaker face-up when installing the BS-1030B, BS-1030W speaker outdoors.

UNIT:mm SCALE:1/3