

## DESCRIPTION

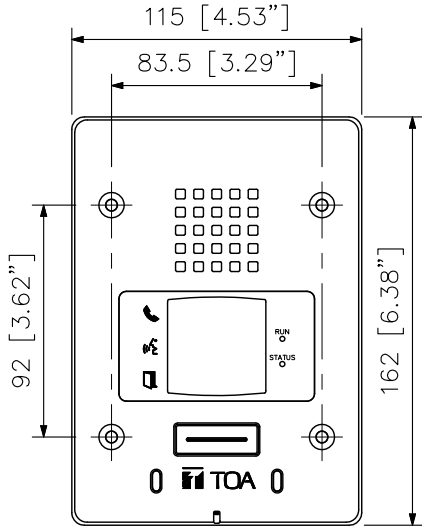
The CX-CL1750 is a Video call station designed for the CX-1000 series IP communication system. By connecting this station to a network (LAN or WAN), hands-free voice conversations can be made using this station or other intercom stations. It is also possible to receive broadcasts made by other CX stations, audio interfaces, and amplifier units. It is equipped with a camera that enables video conversations with the CX-1000 series Video multifunctional station. Power can be supplied from a PoE-compatible switching hub (in this case, an optional AC adapter is not required). The CX-CL1750 supports the SIP protocol, which allows conversations with general-purpose SIP phones via the System manager.

## SPECIFICATIONS

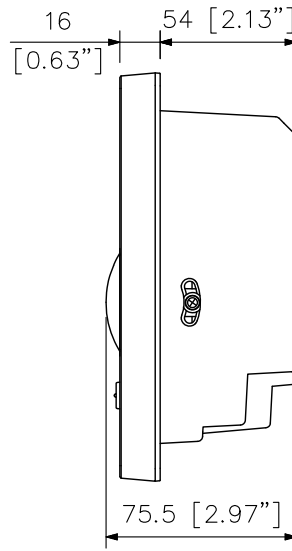
Power Source	PoE (IEEE802.3af compliant) or 12 V DC (use of the optional AC adapter)
Current Consumption	PoE: 200 mA, 12 V DC (AC adaptor) :610 mA
Power Consumption	8 W
Speech Method	Hands-free: Full-duplex (echo canceler + voice switch)
Audio Bandwidth	Conversation: 300 Hz - 7 kHz Broadcast: 300 Hz - 16 kHz
Hands-free	Speaker: Dynamic type speaker, maximum output 2.0 W Microphone: Omni-directional digital MEMS microphone × 2
External Speaker	Maximum output 2.0 W, 8 Ω, push-in terminal (2 pins)
Signal Processing	Input channel: Gain, EQ × 2, Comp, AGC, noise canceler, echo canceler, voice switch, microphone array, speech intelligibility filter Output channel: Gain, EQ × 7, ANC
Network	Network I/F: 100Base-TX Network protocol: TCP/IP, UDP, ARP, ICMP, HTTP, RTP, RTSP, IGMP, NTP, SIP, FTP, RSTP Audio packet transmission method: Unicast, Multicast Number of broadcasting destinations: Unicast (max. 16), Multicast (max. 2999) Connector: RJ45 connector × 2 (LAN A (PoE compatible), LAN B (PoE incompatible)) Network cable: UTP (Cat5 or greater)
Audio Transmission	Sampling frequency: 48 kHz, 16 kHz, 8 kHz (controllable on the software) Audio codec: PCM, G.722, G.711 μ-Law/A-Law Quantization bit depth: 16-bit Voice packet loss recovery: Silence insertion
Video Transmission	Video codec: H.264, MJPEG Resolution: HD 1280 × 720 (max.) Frame rate: 20 fps (max.)
Operation	Direct key × 1
Indicators	LED indicators: RUN (green) × 1, STATUS (yellow, red, green) × 1, Calling indicator (yellow) × 1, Conversation indicator (green) × 1, Unlock indicator (green) × 1
Camera	Image device: 1/2.9 type CMOS Number of effective pixels: 1280 × 720 (max.) Angle of view: horizontal 120°, vertical 69°
Control Input	4 channels, no-voltage make contact input, open voltage: 12 V DC, short-circuit current: 5 mA or less, push-in terminal (5 pins)
Control Output	1 channel, relay contact output, withstand voltage: 30 V DC, maximum control current: 1 A, push-in terminal (2 pins) 4 channels, open collector output, maximum contact capacity : 30 V DC/100 mA, push-in terminal (5 pins)
Installation Method	Flush-mounting or wall-mounting
Impact Resistance	IK08
Dust/Water Protection	IP65 (Note that front cover edges must be sealed at installation.)
Operating Temperature	-40 °C to +60 °C (-40 °F to 140 °F)
Operating Humidity	90 %RH (no condensation)
Finish	Case: Die-cast aluminum, silver, mat finish, paint Panel: PC resin
Dimensions	115 (W) × 162 (H) × 75.5 (D) mm (4.53" × 6.38" × 2.97")
Weight	770 g (1.7 lb)
Accessory	Waterproof washer ×4, Tamper-proof screw ×4, Protection seal ×2
Option	AC adapter: AD-1210P, AD-1215P
Compatible Box	For flush mount: 3-gang electrical box or Back Box YC-150 (option) For wall mount: Wall-mount Box YS-13A (option)

Note: An AC adapter, when used as power source, cannot be put in the YS-13A, YC-150, or a 3-gang electrical box together with the CX-CL1750 because such boxes do not have enough room to accommodate both.

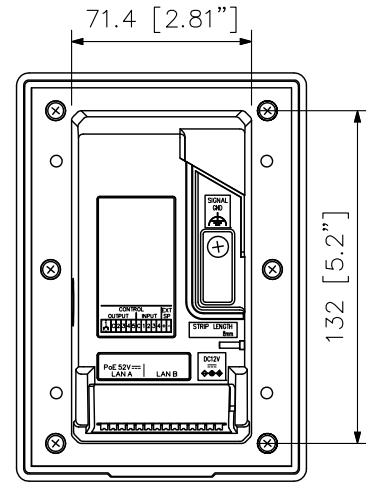
■ APPEARANCE



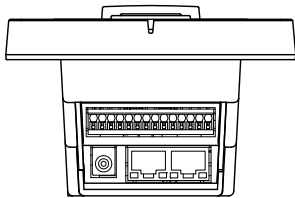
Front View



Side View



Rear View



Bottom View